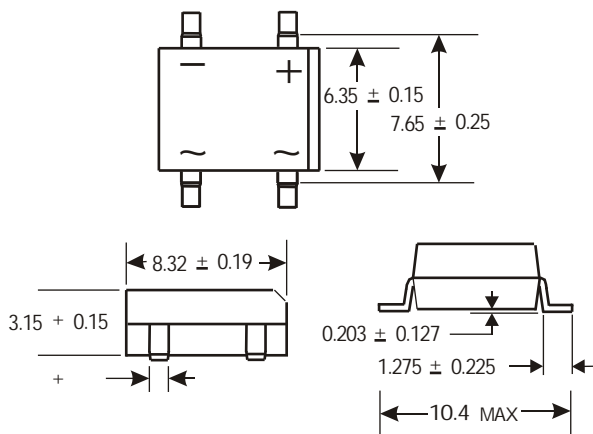


DF1505S THRU DF1510S AND DB151S THRU DB157S

SILICON BRIDGE RECTIFIERS

Reverse Voltage - 50 to 1000 Volts Forward Current - 1.5 Ampere

DB-S



Dimensions in inches and (millimeters)

FEATURES

- ◆ The plastic package carries Underwriters Laboratory Flammability Classification 94V-0
- ◆ Ideal for printed circuit boards
- ◆ Low reverse leakage
- ◆ High forward surge current capability
- ◆ High temperature soldering guaranteed: 260°C/10 seconds, 5 lbs. (2.3kg) tension

MECHANICAL DATA

Case: Molded plastic body
Terminals: Plated leads solderable per MIL-STD-750, Method 2026
Polarity: Polarity symbols marked on case
Mounting Position: Any
Weight: 0.04 ounce, 1.0 grams

MAXIMUM RATINGS AND ELECTRICAL CHARACTERISTICS

Ratings at 25°C ambient temperature unless otherwise specified.
 Single phase half-wave 60Hz, resistive or inductive load, for current capacitive load derate by 20%.

	SYMBOLS	DF1505S DB151S	DF1501S DB152S	DF1502S DB153S	DF1504S DB154S	DF1506S DB155S	DF1508S DB156S	DF1510S DB157S	UNITS
Maximum repetitive peak reverse voltage	V_{RRM}	50	100	200	400	600	800	1000	VOLTS
Maximum RMS voltage	V_{RMS}	35	70	140	280	420	560	700	VOLTS
Maximum DC blocking voltage	V_{DC}	50	100	200	400	600	800	1000	VOLTS
Maximum average forward output rectified current 0.06" (1.5mm) lead length at $T_A=40^\circ\text{C}$ (Note 2)	$I_{(AV)}$	1.5							Amps
Peak forward surge current 8.3ms single half sine-wave superimposed on rated load (JEDEC Method)	I_{FSM}	50.0							Amps
Rating for Fusing ($t < 8.3\text{ms}$)	I^2t	10							A^2s
Maximum instantaneous forward voltage drop per bridge element at 1.5A	V_F	1.1							Volts
Maximum DC reverse current $T_A=25^\circ\text{C}$ at rated DC blocking voltage $T_A=100^\circ\text{C}$	I_R	10							μA
		0.5							mA
Typical Junction Capacitance (Note 1)	C_J	25							pF
Typical Thermal Resistance (Note 2)	R_{qJA}	40							$^\circ\text{C}/\text{W}$
Operating junction temperature range	T_J	-65 to +150							$^\circ\text{C}$
storage temperature range	T_{STG}	-65 to +150							$^\circ\text{C}$

NOTES:

1. Measured at 1.0 MHz and applied reverse voltage of 4.0 Volts.
2. Unit mounted on P.C. board with 0.51" x 0.51" (13x13mm) copper pads.

Fig. 1 Derating Curve for Output Rectified Current

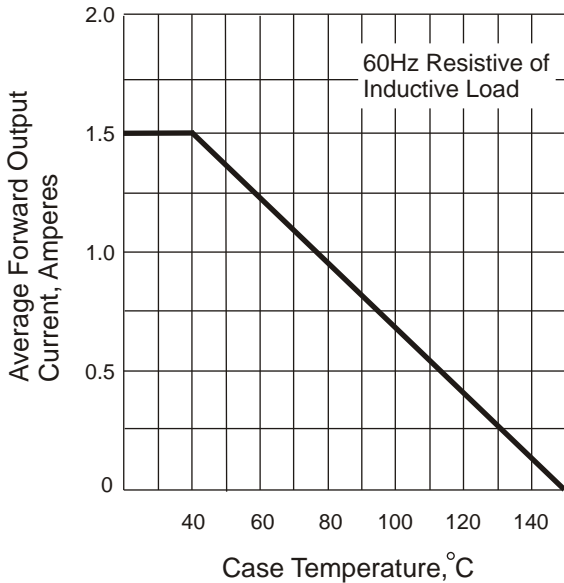


Fig. 2 Maximum Non-repetitive Peak Forward Surge Current

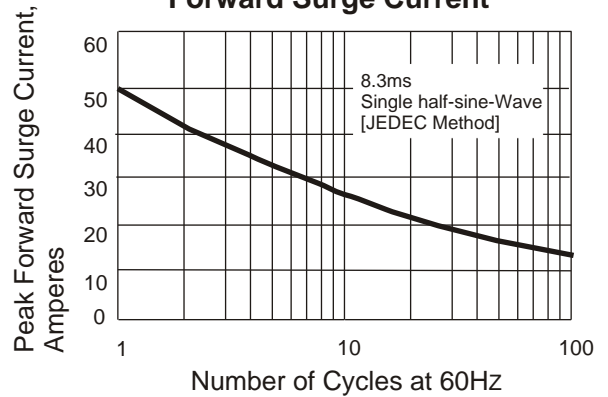


Fig. 4 Typical Revers Characteristics

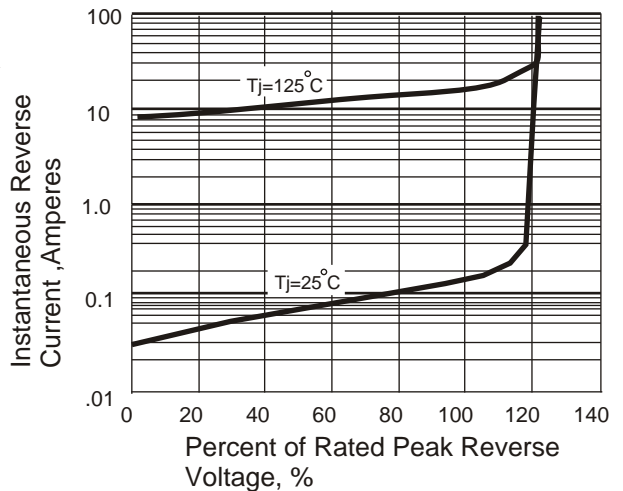


Fig. 3 Typical Instantaneous Forward Characteristics

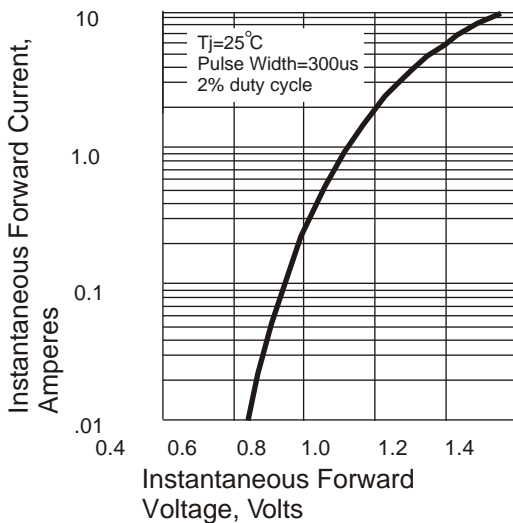


Fig. 5 Typical Junction Capacitance

